

# VANTEL-29-NE CUTAWAY

## Telescopic Aerial Device

---

**PLATFORM CAPACITY:** Up to 350 lbs. (159kg)

**WORKING HEIGHT:** 34ft 10in. (10.6m)

**HORIZONTAL REACH:** 22ft. 7in. (6.88m)



The **VERSALIFT** product line has grown to encompass models for every market. Whether it be a 29' man lift or a 108' material handler, there is a **VERSALIFT** to get the job done.

### For more information

Versalift  
254.399.2100  
[www.VERSALIFT.com](http://www.VERSALIFT.com)

# VANTEL-29-NE CUTAWAY



## Telescopic Aerial Device

### GENERAL SPECIFICATIONS

Horizontal Reach
Standard Platform Capacity
Outer Boom Travel
Inner Boom Extension
Height to Bottom of Platform
Working Height
Stowed Travel Height
Weight of Lift W/ Mounting Hardware
Operating Pressure
Flow Rate
Filtration
System Type

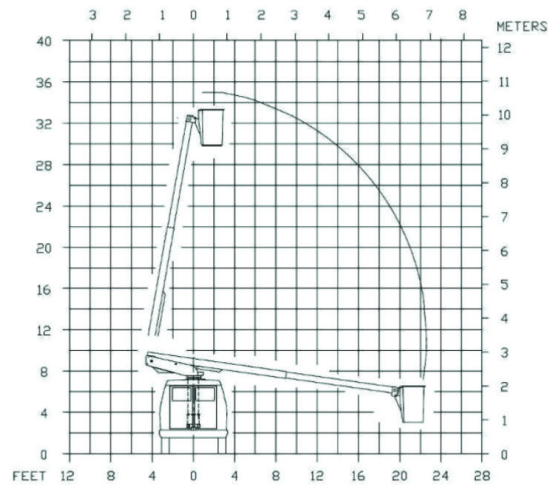
### VANTEL-29-NE CUTAWAY

22 ft. 7 in. (6.88m)
300 lbs. (136kg)
-8° to +80°
116 in. (2.95m)
29 ft. 10 in. (9.09m)
34 ft. 10 in. (10.6m)
9'-9" (2.97m)
1530 lbs. (694 kg)
2250 PSI (158 KG/CM <sup>2</sup> )
2 GPM (8 lpm)
10 micron return/ 100 mesh suction
Open Center

### OPTIONS:

- EMERGENCY LOWERING
- BACK UP PUMP
- PNEUMATIC CIRCUIT(S) TO THE PLATFORM
- VARIOUS PLATFORMS, DOORS AND COVERS
- BUMPER EXTENSIONS
- 120 VOLT RECEPTACLE AT PLATFORM
- MANUAL PLATFORM POSITIONER
- ELECTRIC DRIVE

### REACH DIAGRAM



### NOTE:

1. Specifications might vary without prior notification
2. Required GVWR can vary significantly with chassis, lift mounting location, service body, accessories, and desired payload