



AIR N ARC I-300

-  AIR COMPRESSOR
-  GENERATOR
-  WELDER
-  BATTERY BOOST
-  BATTERY CHARGE
-  HYDRAULIC PUMP

The All-In-One Power System[®] With Hydraulic Power For Smooth, Reliable and Precise Crane Operation!

Vanair's Air N Arc[®] I-300 was the first system in the world to offer six forms of power in a single 48" unit with multi-functioning capabilities. The Air N Arc[®] I-300's unique system allows you to turn off the truck's engine while still supporting the electrical of the truck, so all the emergency lighting can still be used without fear of killing the truck battery. The Air N Arc[®] I-300 provides an integrated 40 CFM rotary screw compressor, 7 kW AC generator, 300 AMP welder, battery booster and battery charger, with the added power of a hydraulic pump...all driven by a single engine. The Air N Arc[®] I-300 offers enough power to run a crane and the technology to integrate with the crane control.

SPECIFICATIONS	
Engine	24.8 HP Kubota [®] , Liquid Cooled (Tier 4 Compliant)
Air Compressor	Rotary Screw, 40 CFM Free Air at High Speed 30 CFM Free Air at Idle, 175 PSI Max
Generator	6.8 kW Continuous, AC Power, 60 Hz, Single Phase, 120V GFCI and 240V Outlets
Welder	High Frequency DC Welding, 300 AMPS Peak, 260 AMPS @ 100% Duty Cycle CC: 40-300 AMPS Operating Range, CV: 15-30 Volts
Hydraulic Output	Up to 13 GPM, Up to 3000 PSI (10.5 GPM Hydraulic Piston Pump)
Battery Charger/Booster	300 AMPS 12V/24V Boost, 50 AMP 12V Charge
Drive System	Belt Driven
Fuel Capacity	Tied to Chassis or Optional 12 Gal. Remote Tank

Air N Arc[®] I-300 Unit Dimensions with Fittings (In.):
47.1L X 25.2W X 33.4H | Dry Weight (Lbs.): 900 | Standard side-mount receiver configuration



AIR NARC® I-300

FEATURES

- True Two-Generator System for Safe Multi-Function of Welder and Electric tools
- All the Benefits of a High Frequency Welder Offering Excellent Weld Characteristics
- 40 CFM Rotary Screw Compressor for Air on Demand and Extended Life of Unit
- Heavy Duty Belt Drive System for Anti-vibration and Long Service Intervals
- Remote Mount Control Panel for the Ultimate in User Convenience
- Fuel System Integrated with the Chassis
- Integrated Lift Hook and Battery Tray
- Designed for Easy Maintenance
- Small Footprint - Will Fit on Side Pack or Behind Cab or Under Box Type Body
- Powder Coated Sheet Metal
- Galvannealed Steel
- Low Profile Height

AIR COMPRESSOR

- Encapsulated Rotary Screw Compressor for Air-On-Demand
- 40 CFM @ 150 PSI
- 175 Max PSI

WELDER

- High Frequency DC Welding
- 270 AMPS at 100% Duty Cycle
- CC Range 40 – 300 AMPS Operating Range
- CV Range 15 – 30 Volts
- Independent DC Welder
- Auto Speed Control
- CV MIG Capabilities

GENERATOR

- 7 kW Peak / 6.8 kW Continuous @ 60 Hz (Available In 5.7 kW Continuous Watts @ 50 Hz)
- Independent AC Generator
- Brushless
- Smooth Wave for Minimal Distortion
- Two-120V Outlets and One-240V Outlet

BATTERY BOOST/CHARGE

- 300 AMP 12V/24V Boost
- 50 AMP 12V Charge

ENGINE

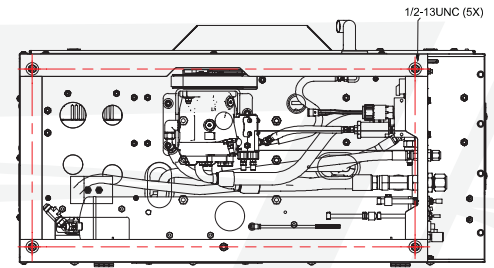
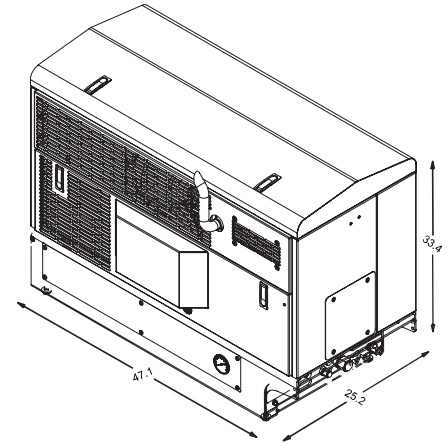
- 26.5 HP EFI Kohler®, Air Cooled or 25 HP Kubota®, Liquid Cooled
- Electric Start
- Provides Power for Emergency and Safety Lights with Truck Engine Turned Off
- Tier 4 Emission Compliant on Diesel Only
- Automatic Glow Plugs on Diesel Only

COLD WEATHER PACKAGE

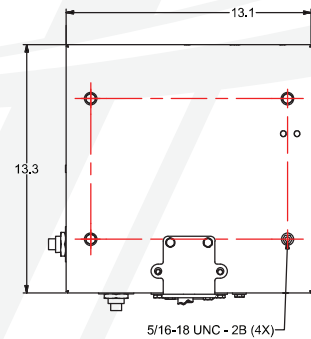
- Integrated 12V Weather Package
- 120V Engine Block Heater

OPTIONS/ACCESSORIES

- Welding Cables - 25' and 50'
- Welding Helmet with Auto Darkening Lens
- Battery Booster Cables
- Cable Extension Segment
- Fuel Tank – Slimline 11 Gallon
- Remote Air Tanks
- Maintenance Kits
- Cold Weather Kits
- GFCI Kit Available



MOUNTING HOLES



REMOTE PANEL WITHOUT OPTIONAL SPACER MOUNTING HOLES

Vanair reserves the right to make changes in engineering, design, and specifications; add improvements; or discontinue manufacturing at any time without notice or obligation. Vanair, the Vanair logo and MOBILE POWER SOLUTIONS are registered trademarks or trademarks of Vanair Manufacturing, Inc., Michigan City, IN, USA. © 2021 All Rights Reserved.



VANAIR®
MOBILE POWER SOLUTIONS®

800.526.8817 | vanair.com

10896 West 300 North | Michigan City, Indiana 46360 USA



ANAI300_07142021_NML